

**W** White-Westinghouse

**INTERNATIONAL**

## Factory Parts Catalog

Product No.	WLF125BZHS0
Series	W. WESTINGHOUSE
Market	Export
Color	white
Volts	220v 50hz
Wiring Diagram	
Owner's Guide	137074100

INTERNATIONAL  
3 Parkway Center, Pittsburgh, PA 15220

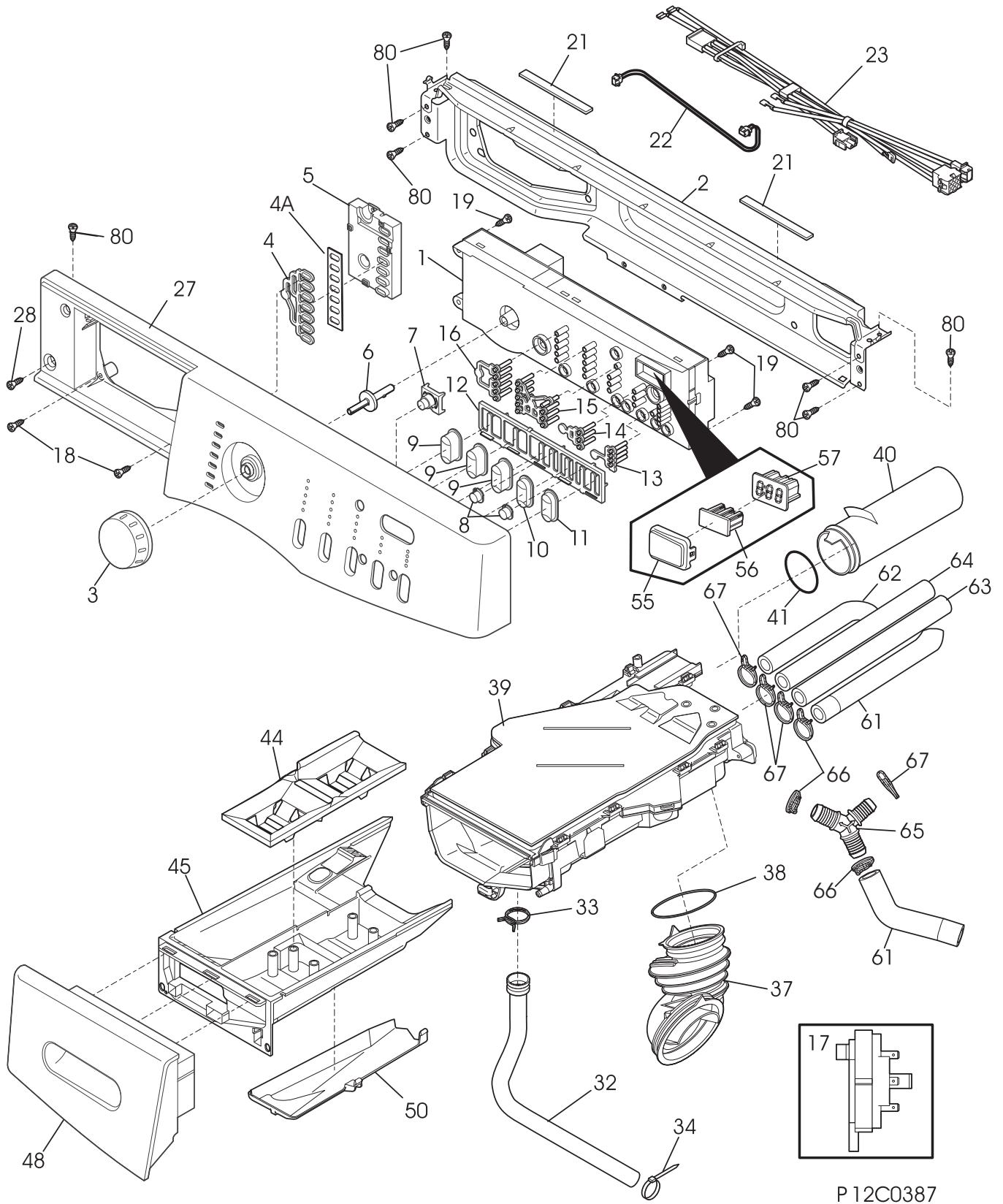
Publication No.  
**5995531570**  
09/01/16  
(EN/SERVICE/WTC)  
361

### FRONT-LOAD WASHING MACHINE

Model No.  
WLF125BZH

Copyright © 2009 Electrolux Home Products, Inc.  
All rights reserved.

**CONTROL PANEL**

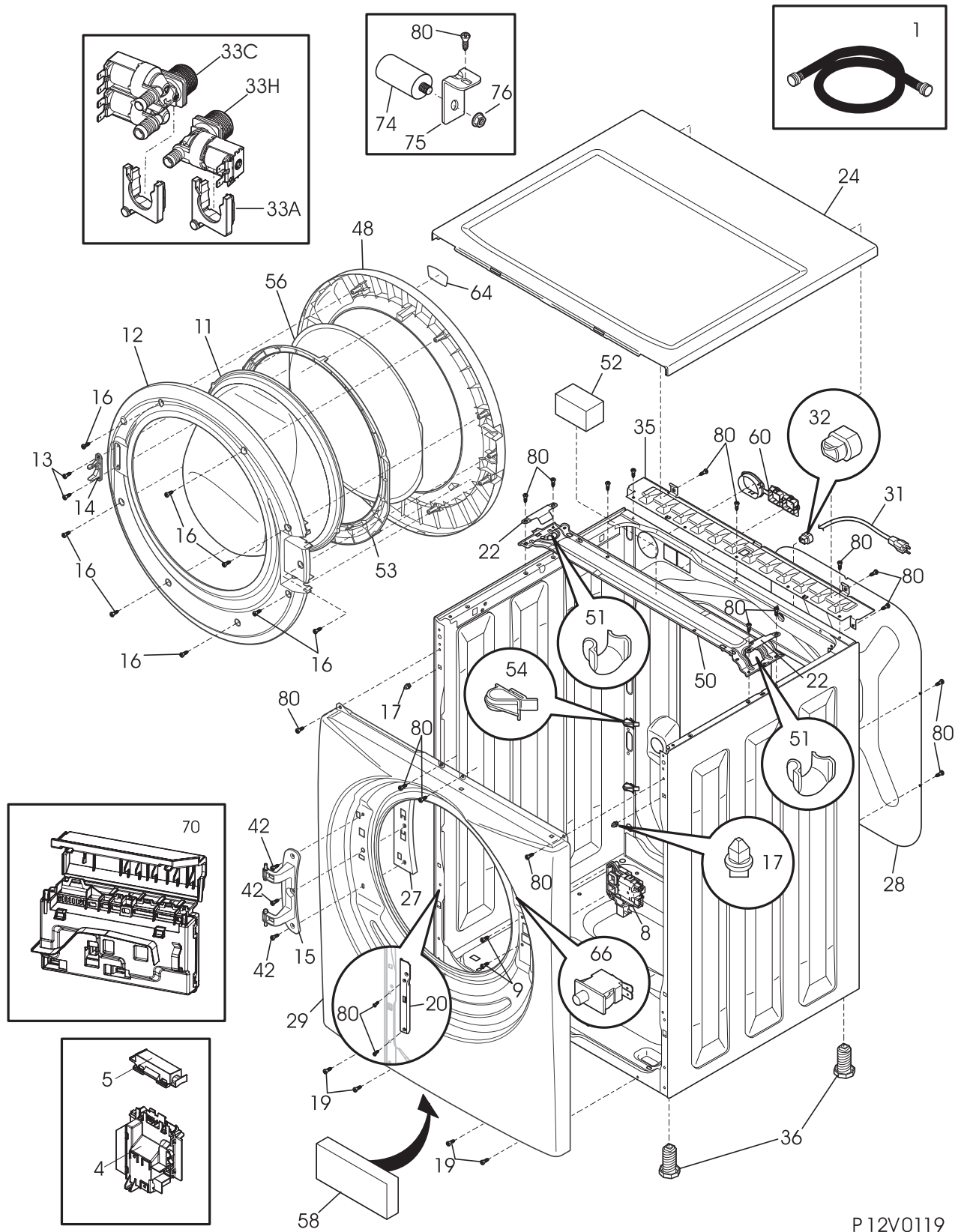


## CONTROL PANEL

---

POS. NO	PART NO.	DESCRIPTION
1 #	137035220	Control Board, pc, with housing
2	134364800	Bracket, top front
3	134551210	Knob, program
4	134553100	Light Pipe, program
4A	134823400	Gasket, light pipe, program
5 #	134825400	Interface Board, pc, auxiliary
6	134347700	Pin, program knob
7	134555610	Push Button, round, #2
8	134555510	Push Button, round, #1
9	134553410	Push Button, oval, #1
10	134555410	Push Button, oval, #2 (soil)
11	134555430	Push Button, oval, start
12	134553300	Spring, push button
13	134557500	Light Pipe, start group
14	134557400	Light Pipe, row of 3
15	134552800	Light Pipe, 5 x 4
16	134600000	Light Pipe, row of 5
17 #	134762010	Switch, pressure
18	131302800	Screw, 10-16AB x 0.375
19	134402910	Screw, Phillips, 6-19 x 0.65
21	134407900	Dampener, vibration
22 #	134602100	Wiring Harness, interface board
23	134823900	Wiring Harness
27	137107700	Panel, control console, white
28	137087000	Screw, 10--16X.75
32	134586500	Hose, disp-to-bellows
33	137087504	Clamp
34	5303321209	Cable Tie, 5.60 inch
37	134372300	Hose, disp-to-tub
38	134372400	Clamp, tub hose
39	137045800	Housing, dispenser
40	134821700	Tube, disp-to-overflo
41	134372200	O-ring, overflow tube
44	134370210	Cover, dispenser
45	134370000	Drawer, dispenser
48	137107800	Handle/Drawer Assy, white
50	134370100	Conveyor, dispenser, lower
55	134553200	Lens, digital display
56	134557300	Light Pipe, digital display
57 #	134503300	Display, digital
61	134822200	Hose, water inlet, Green line
62	134822201	Hose, water inlet, no line
63	134822203	Hose, water inlet, red line
64	134822202	Hose, water inlet, blue line
65	134822100	Connector, Y
66	137087506	Clamp
67	137087505	Clamp
80	134547800	Screw, 10-16AB x 0.375

**CABINET/TOP**

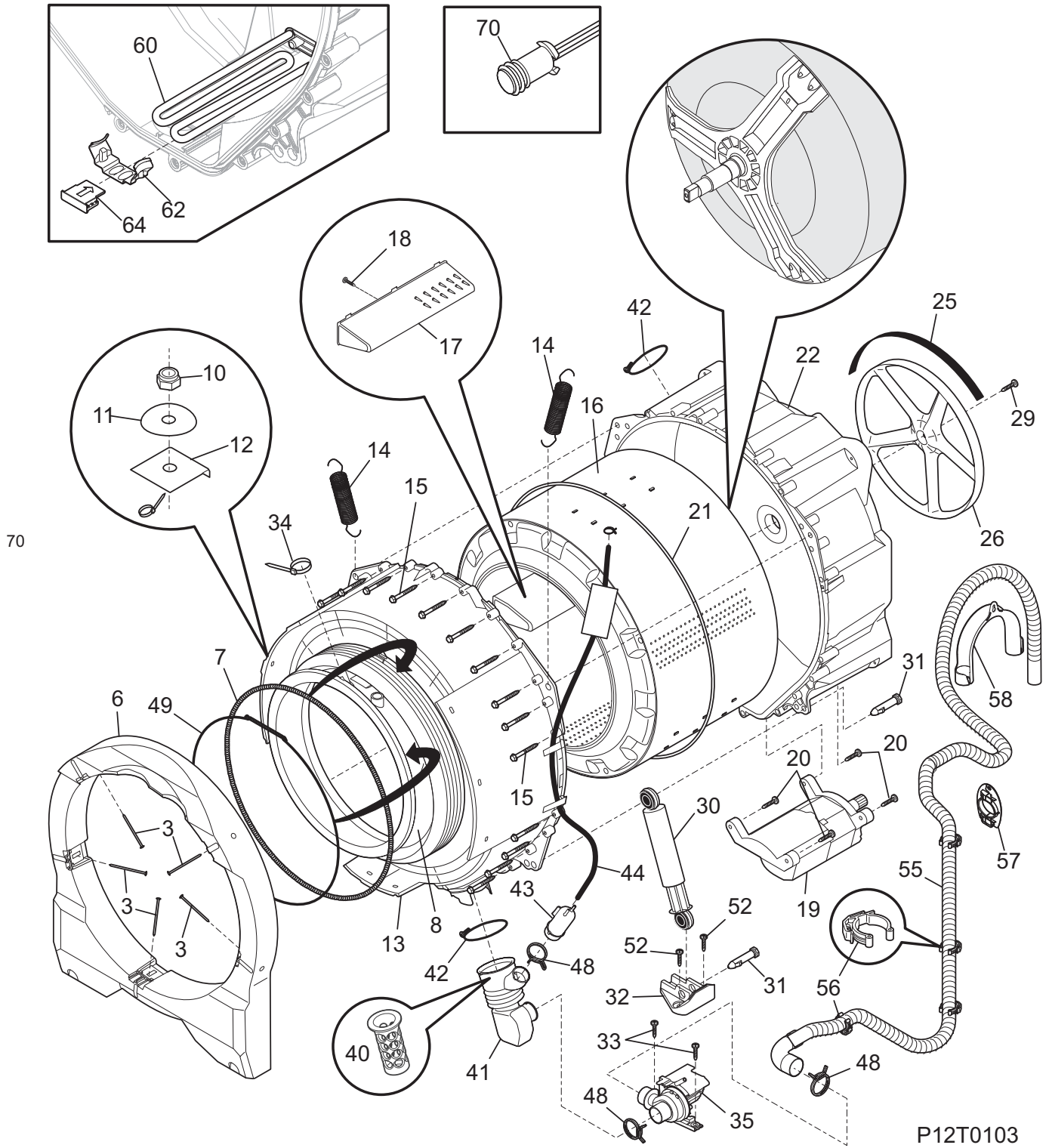


P12V0119

**CABINET/TOP**

POS. NO	PART NO.	DESCRIPTION
1	5304468117	Hose, water inlet, cold
1	5304468118	Hose, water inlet, hot
1*	5304468116	Washer, inlet hose
4 #	5304468120	Control Board, motor
5	134823600	Cover, motor control
8 #	134820360	Door Lock/Switch Assy
8*	134823500	Protector, door lock, front
8*	134823700	Protector, door lock, rear
8*	134823901	Harness, door lock
9	131303300	Screw, pan head, 10-16AB x 0.500, locking
11	134366420	Panel, door glass
12	134550740	Frame, inner door
13	131302901	Screw, 10-16 x 0.750
14	134456640	Striker, door/lock
15	134550800	Hinge, door, with bushings
16	137087000	Screw, 10--16X.75
17	134408700	Clip, assembly
19	137087200	Screw, 10-16x.50
20	134434901	Bracket, LS panel, reinforcement
20*	134434900	Bracket, RS panel, reinforcement
22	134364700	Retainer, spring steel
24	134365000	Panel, work top, white
27	134550900	Bracket, hinge, reinforcement
28	134364300	Panel, service access, rear
29	134550100	Panel, cabinet front, white
31 #	137109840	Power Cord, electric svce, Export
32	5303209428	Bushing, power cord
33A	134821500	Support, valve
33C#	5304468124	Valve, water (COLD), 220/240V
33H#	5304468125	Valve, water (HOT), 220/240V
35	134365100	Bracket, top support, rear
36	134548800	Leveling Leg, screw, plastic
42	134601900	Screw, flat head, M5 x .8 x 17.5
48	134550510	Panel, outer door, platinum
48*	134554500	Pad, outer door
50	134364600	Bracket, tub suspension
51	134562100	Protector, tub brkt, spring hook, (2)
52	131931202	Dampener, vibration, foam
53	134551300	Ring, door transition
54	134364900	Fastener, wire harn clip
56	134550600	Glass, outer door lens
58	131800405	Insulation, noise absorber
60	134821300	Grommet, dispenser, back panel
64	137095500	Bezel, nameplate, white
66 #	134824800	Door Switch Assy, WITH BOOT
66*	134823800	Cover, door switch
70	137043200	ASMY-MAIN BOARD, main electronic, 60, ATF705BZHS0
74	5304468121	Filter, ANTI, INTERFERENCE
75	134395410	Bracket, filter support
76	137094400	Nut, with washer
80	134547800	Screw, 10-16AB x 0.375
*	134591500	Plug Assy, shipping holes, back
*	134596200	Shipping Support Kit
*	134876500	Clip, hose, drain, rear-panel
*	134889700	Clip, hose, drain, rear-panel

MOTOR/TUB



P12T0103

**MOTOR/TUB**

POS. NO	PART NO.	DESCRIPTION
3	131793303	Bolt, carriage, 1/4-20 x 2.60
6	134362200	Counterweight, front, one piece
7	134365300	Spring, bellows clamp, retainer
8 #	137045600	Bellows Kit, boot, w/light hole
10	137086500	Nut, hex, 1/4-20 UNC-2B
11	131276900	Washer, Bellville, spring steel
12	134430600	Plate, counterweight
13	134362000	Shell, tub, front
14 #	134362800	Spring Assy, suspension
15	137086700	Screw, 1/4-10X2.065
16	134360910	Drum Assy, spin basket
17	134509600	Vane Kit, drum
18	131302800	Screw, 10-16AB x 0.375
19 #	134362520	Motor
19*	134823903	Harness, motor
20	137086600	Screw, 12-14x1.50
21	134361900	O-ring, tub
22	134721320	Shell, tub, rear, w/bearing, seal
25 #	134051003	Belt, drive, 6-rib
26 #	134362600	Pulley, drum drive, large, rear
29	134408400	Screw, 10.9 class, M10 x 25 mm
30	134560400	Shock Absorber, dual stage
31	131268300	Pin, shock mtg.
32	134363200	Bracket, shock mtg.
33	134160900	Screw, washer hd, 10-16AB X 0.75
34	5303321209	Cable Tie, 5.60 inch
35 #	134824600	Pump, drain
40	134885800	Filter, pump
41	134455900	Hose, coin trap, tub-to-pump
42	134737300	Clamp, hose
43	134369000	Chamber, air
44	137088900	Pressure hose, assembly
48	137087503	Clamp, hose, wire
49	134527100	Clamp, bellows, spring held
52	137087400	Screw, #10-16 x .625
55 #	134889600	Hose, drain-one piece
56	134994200	Fastener, hose clip, (3)
57	134641100	Bracket, drain hose mtg, rear
58	134440700	Hanger, drain hose
60 #	5304468133	Element, heating, 1000 W, 230
62	134558000	Bracket, heating element
64	134558100	Stop, detente, heating element
70 #	137043300	Light Assembly, LED